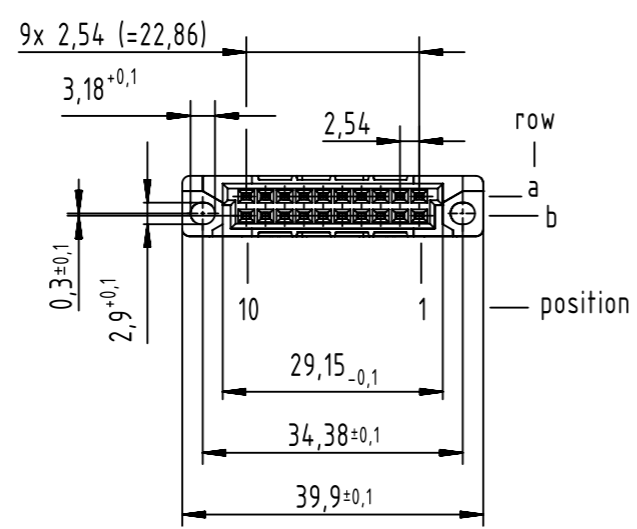
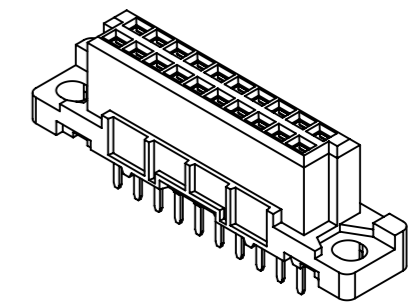
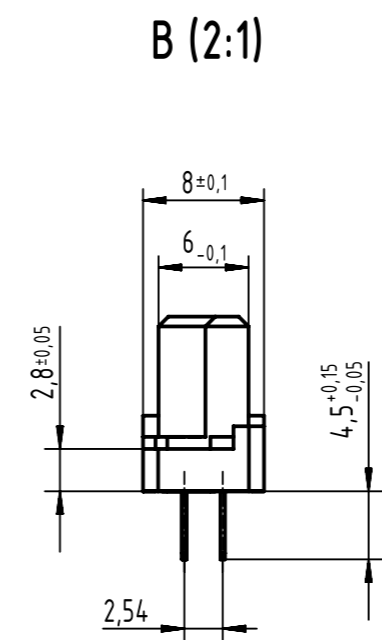
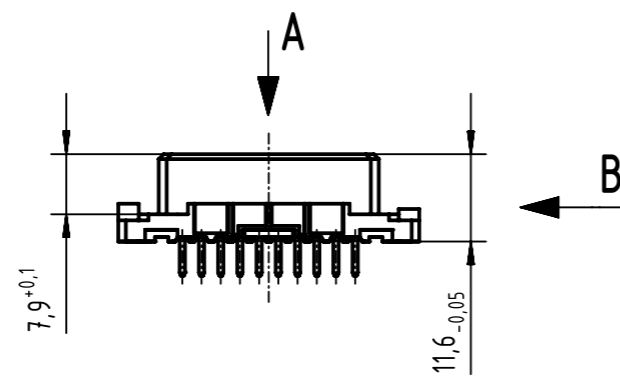


20 solder contacts

☒ = solder contact

☐ = position without contact



09 24 220 6825	2
part no.	performance level 1

1 further information see: DS 09032100001

	All Dimensions in mm Original Size DIN A3		Scale 1:1	Free size tol. IEC 60603-2	Ref. Sub. TB 09 24 220 x825 / Mod. 36370 / 21.07.2011	
	All rights reserved Department EL PD		Created by STORCK	Inspected by LEHNERT	Standardisation HOFFMANN	Date 2018-09-13
HARTING Electronics GmbH D-32339 Espelkamp		Title DIN Signal type 3B female solder straight 4.5 20-pole			Doc-Key / ECM-Nr. 100172729/UGD/010/B 50000014.0036	
		Type TB	Number 0924220X825		Rev. B	Page 1/1